

******* SERVICE BULLETIN *******

Bulletin No.	Revision	Classification	Date	Page
LC99090902	Original	<input checked="" type="checkbox"/> Internal <input type="checkbox"/> Dealer <input type="checkbox"/> General	09-09-99	1 of 1
Subject: PRESTOLITE ALTERNATOR (LEECE-NEVILLE)			Time Required	
Part Numbers: GK18-00004-0012, 0017-00009-0708 and AK17-00012-0000.			<input type="checkbox"/> 15 min <input type="checkbox"/> 30 min	<input checked="" type="checkbox"/> 45 min <input type="checkbox"/> 1 hr +

DESCRIPTION: Prestolite alternator availability.

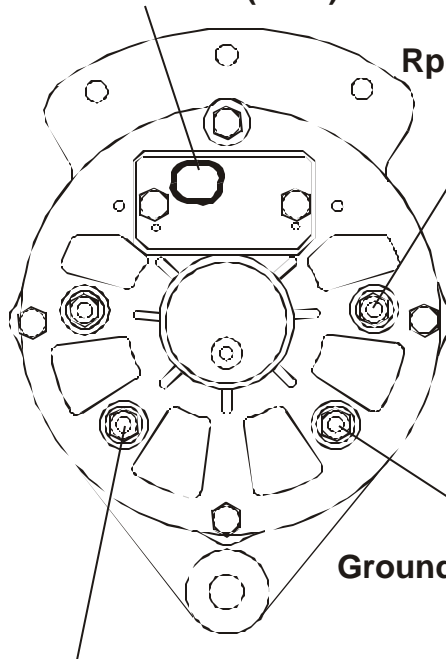
SOLUTION: Order part number GK18-00004-0012. Part numbers 0017-00009-0708 and AK17-00012-0000 have been discontinued.

NOTE: There is a significant cost increase for available assemblies.

Field Control - **White** (6500 & 9000)

Field Control - Yellow (9500)

Rpm Sensor/Ac Tap - Orange
(6500 & 9500)



Ground (Control PCB)- **Black**

Positive Output- Red
(Red/**Black** 9500 only)